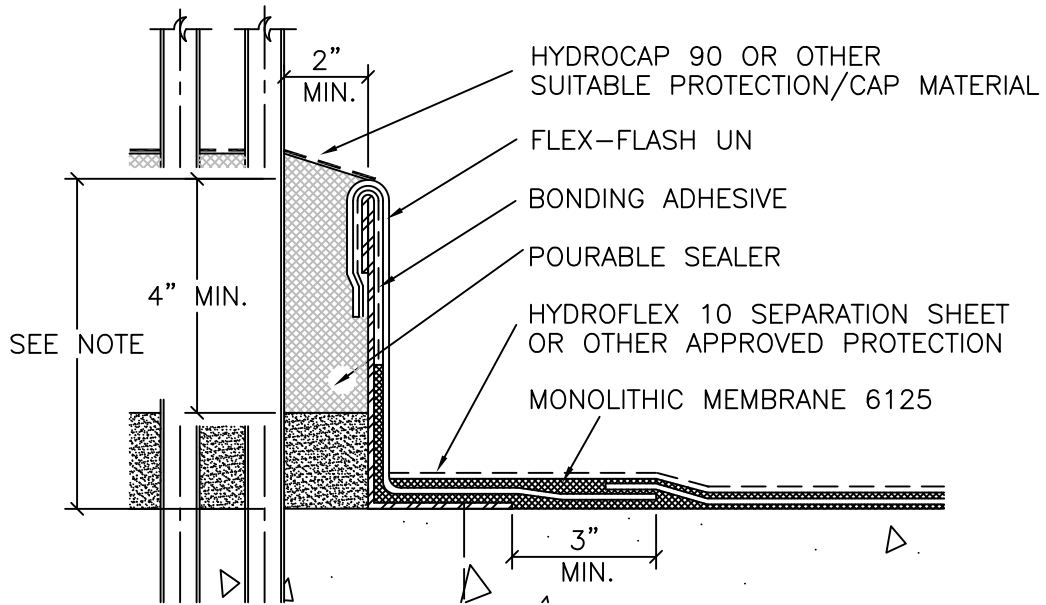


INDIVIDUAL PENETRATIONS



CLUSTERED PENETRATIONS


NOTES: TOP OF PITCH POCKET (TOTAL HEIGHT) SHOULD BE AT OR HIGHER THAN THE SURFACE OF THE BALLAST/TOPPING. MEMBRANE "FILL" MUST BE A MINIMUM OF 4" DEEP. EXCESS DEPTH MAY BE FILLED WITH A NON-SHRINK GROUT.

ALL SURFACES WITHIN THE PITCH POCKET MUST FIRST BE "PRIMED" WITH SEALER PRIOR TO FILLING POCKET WITH MEMBRANE. USING A BRUSH LOADED WITH SEALER ALL PENETRATION, POCKET & DECK SURFACES MUST BE COATED.

POCKET SHOULD BE FILLED SO AS TO PROVIDE A POSITIVE WATER SHED (SLOPE).

POURABLE SEALER MUST BE MAINTAINED OVER THE TERM OF ANY WARRANTY.

SOME PIPE MATERIALS (PVC, COPPER, BRASS) REQUIRE ROUGHENING/SANDING, IN ADDITION TO PRIMING W/SURFACE CONDITIONER, FOR PROPER ADHESION OF MM6125. METAL PIPES MUST BE FREE OF ALL OIL AND RUST.



Monolithic Membrane
6125-FR
ROOFING SYSTEMS

AMERICAN HYDROTECH, INC.

TYP. CAST-IN-PLACE PENETRATIONS & PITCH POCKET (PIPE, CONDUIT)	
3"=1'-0"	R-7A