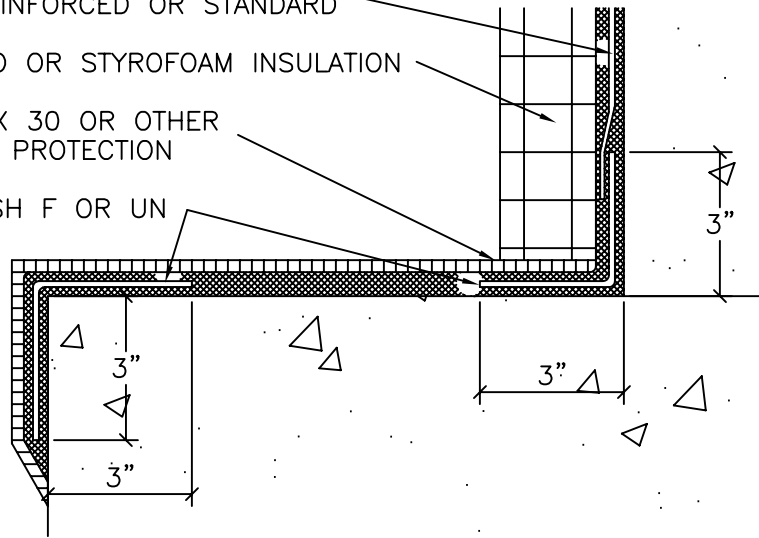


MONOLITHIC MEMBRANE 6125  
FABRIC REINFORCED OR STANDARD

THERMAFLO OR STYROFOAM INSULATION

HYDROFLEX 30 OR OTHER  
APPROVED PROTECTION

FLEX-FLASH F OR UN

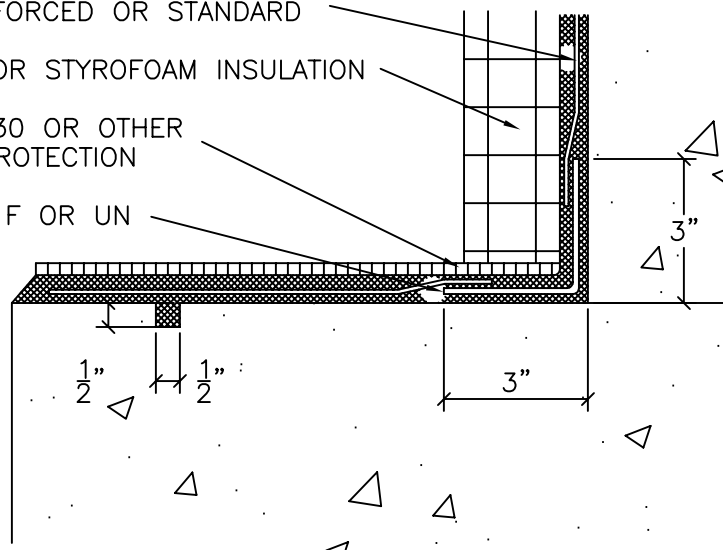


MONOLITHIC MEMBRANE 6125  
FABRIC REINFORCED OR STANDARD

THERMAFLO OR STYROFOAM INSULATION

HYDROFLEX 30 OR OTHER  
APPROVED PROTECTION

FLEX-FLASH F OR UN



NOTES: WHEN FOUNDATION WALLS ARE CONSTRUCTED OF CONCRETE BLOCK (CMU),  
MM 6125 MUST BE INSTALLED IN FABRIC REINFORCED MEMBRANE ASSEMBLY.

WHEN THE FACE OF THE FOOTING IS NOT ACCESSIBLE, A 1/2" X 1/2"  
SHOULD BE CUT/FORMED INTO THE FOOTING TO PROVIDE A WATER STOP  
FOR THE MEMBRANE.



Monolithic  
Membrane  
6125-FR  
WATERPROOFING SYSTEMS

AMERICAN HYDROTECH, INC.

TYPICAL FOUNDATION WALL  
DETAILING AT FOOTING

NO SCALE

W-11C