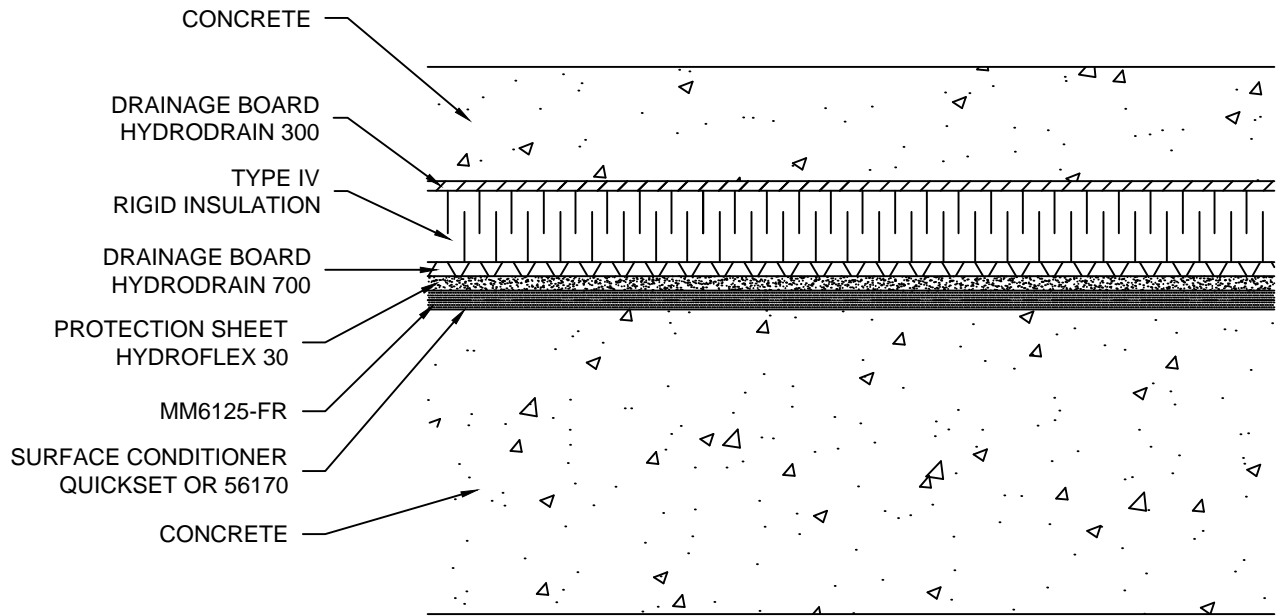
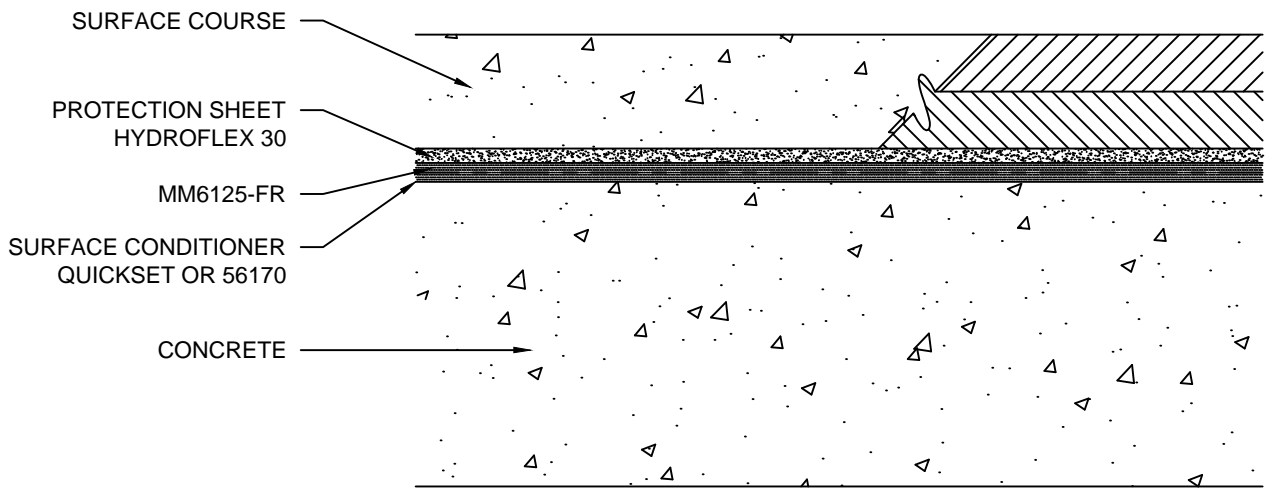


SPLIT-SLABS



PARKING



MONOLITHIC  
MEMBRANE  
#6125  
WATERPROOFING SYSTEMS

TYPICAL APPLICATIONS

HYDROTECH MEMBRANE CORP.

NO SCALE

WC-2A